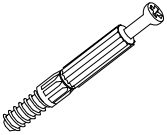


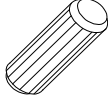


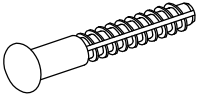
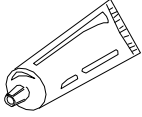

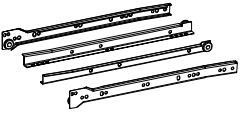

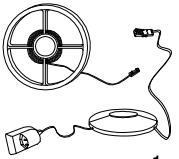
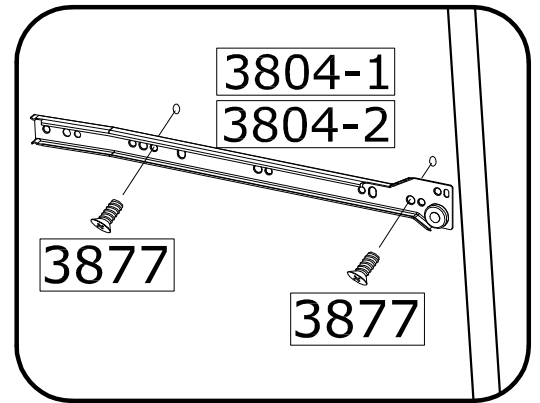
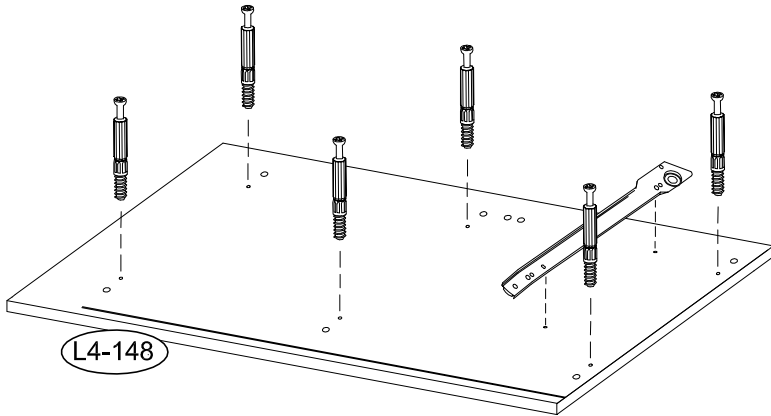
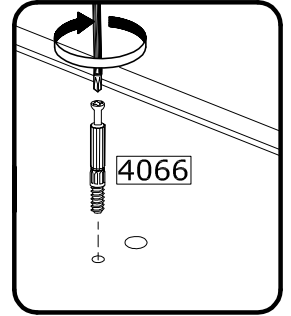
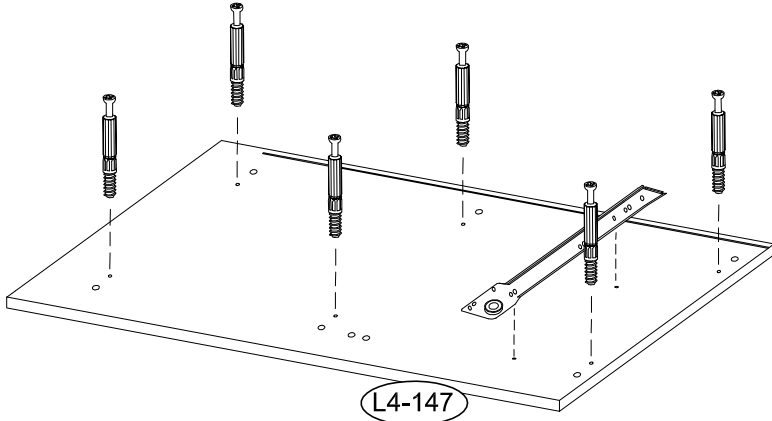


4066  x16	3996  x16	136236  x16	3989  Ø8x30mm x64	3918  Ø3,5x16mm x8
3877  Ø6,0x13mm x8	IN01157  x8	3983  x4	30585  x1	3804  L-350mm x2kpl.
4044  x8	43120  x1			

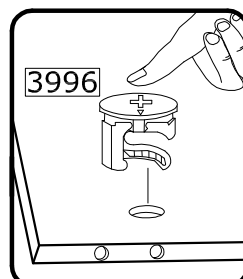
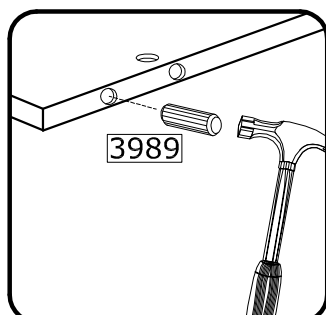
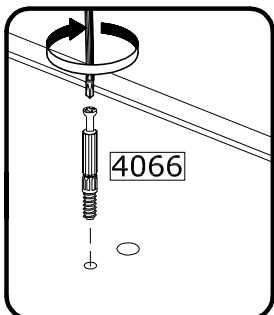
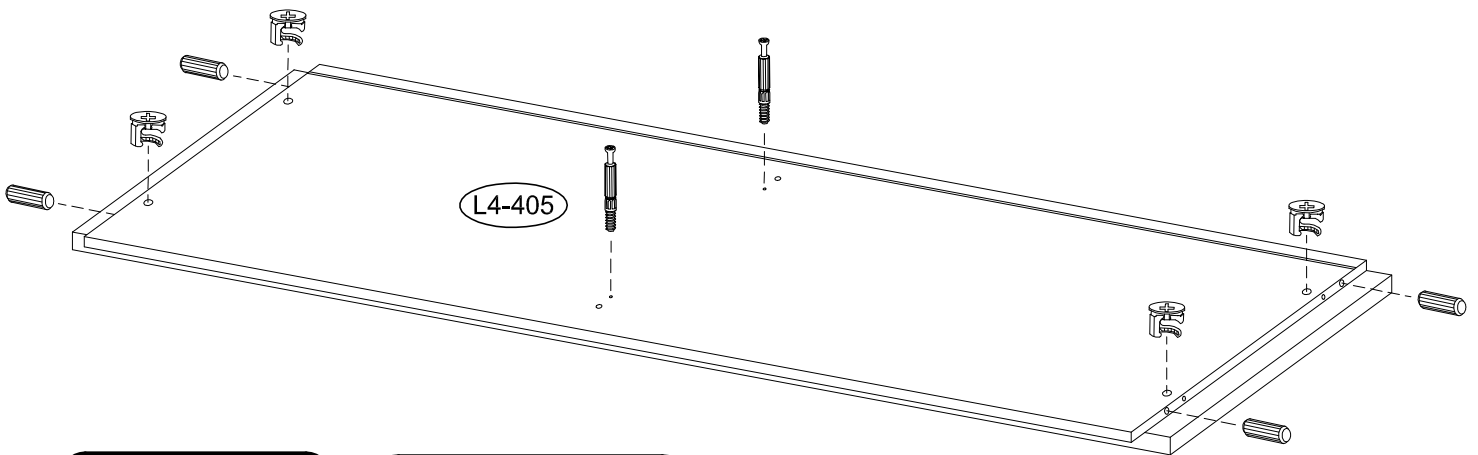
# 1.

4066  x12	3804-1  x1	3804-2  x1	3877  x4		
---	--	--	--	--	--



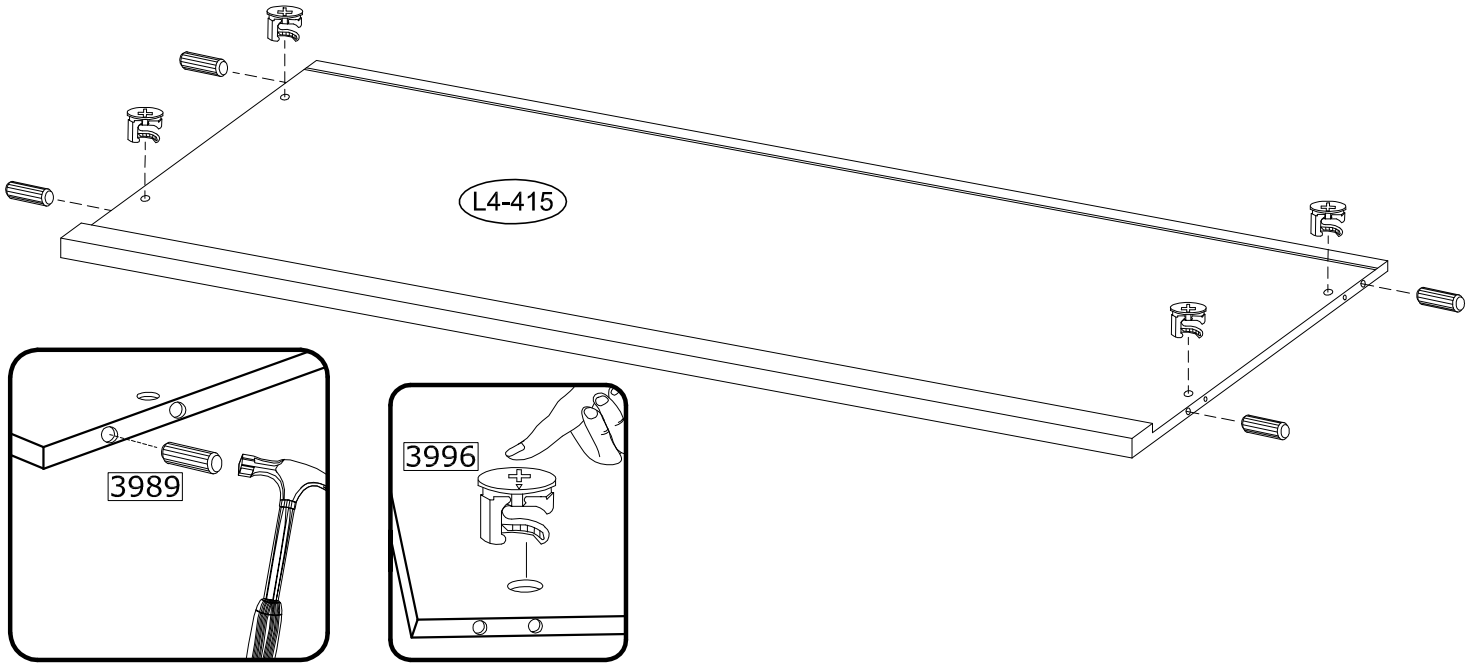
# 2.

3989  x4	3996  x4	4066  x2		
---	---	---	--	---



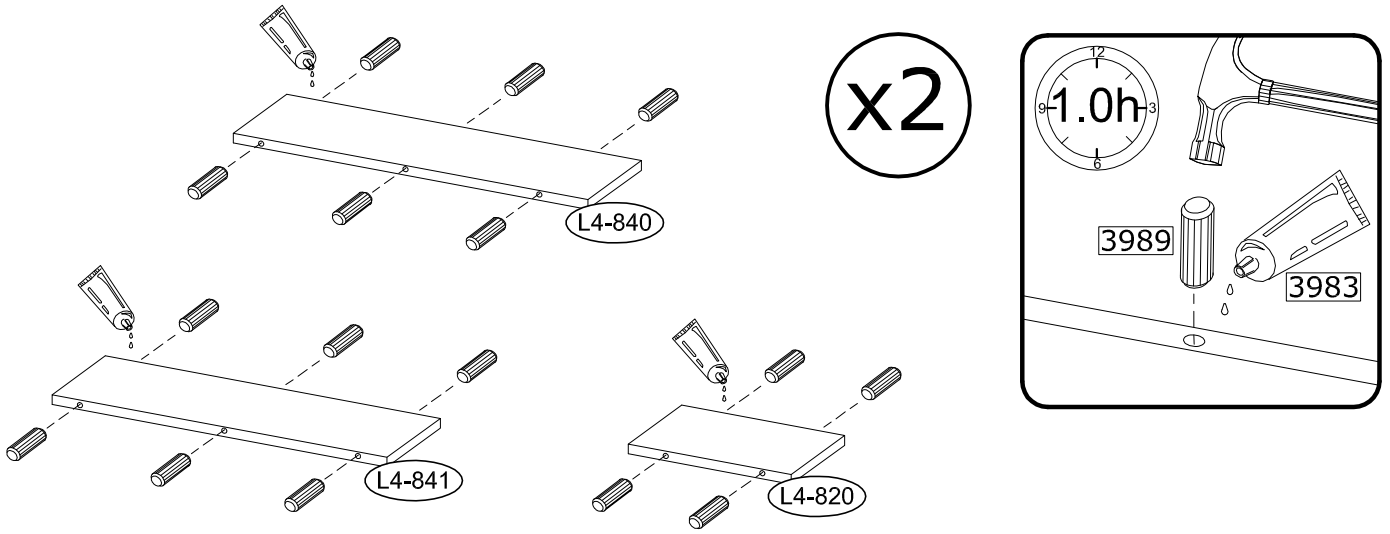
3.

<p>3989 x4</p> 	<p>3996 x4</p> 		
---	---	--	--



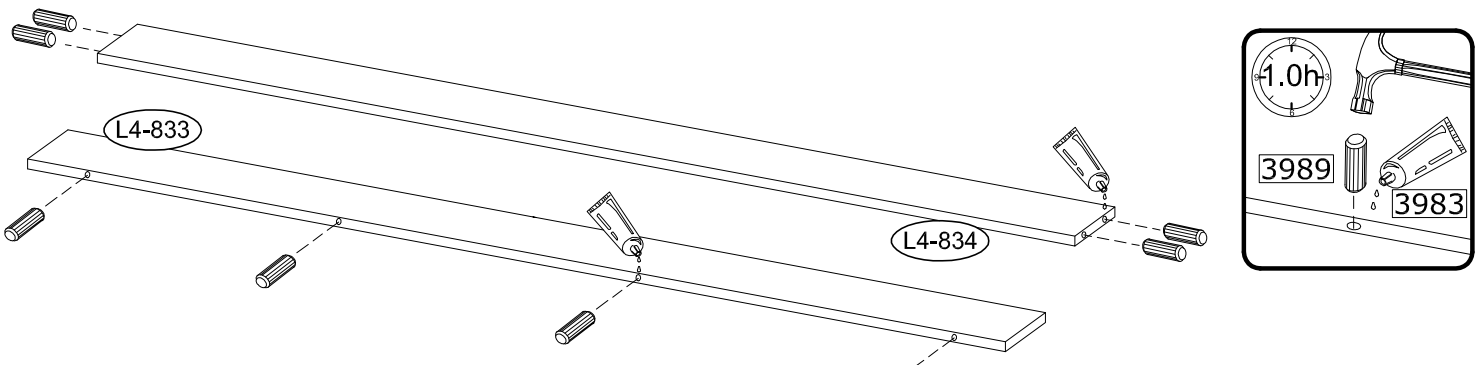
4.

<p>3989 x32</p> 	<p>3983 x1</p> 		
---	--	--	---






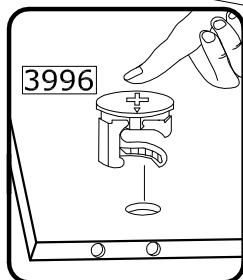
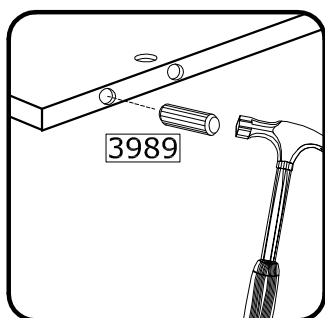
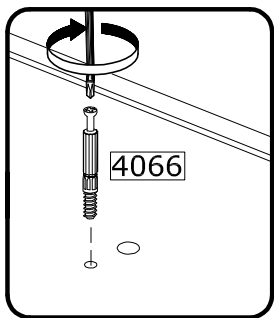
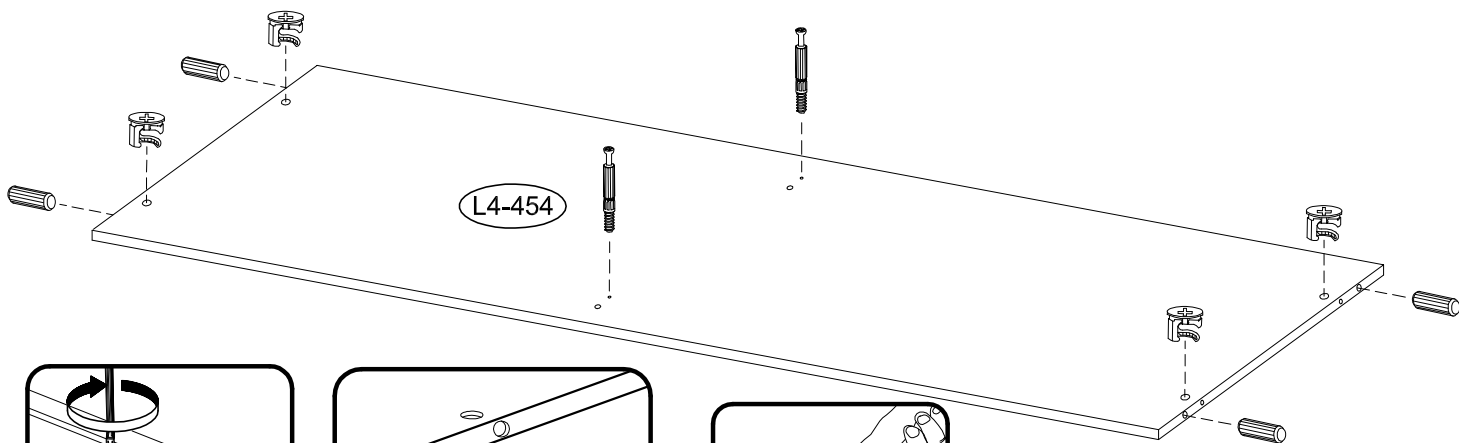
5.

<p>3989 x8</p> 	<p>3983 x1</p> 		
--	--	--	---





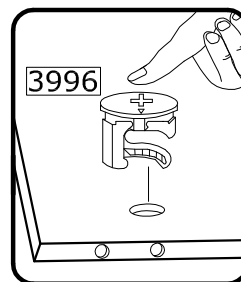
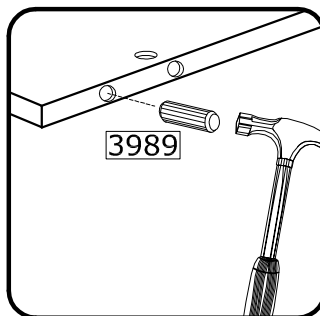
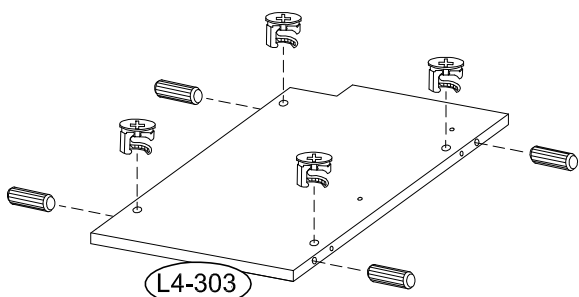
# 6.

3989  x4	3996  x4	4066  x2
--	--	--




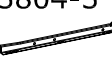
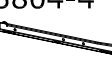



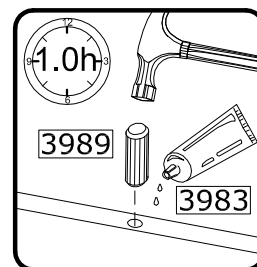
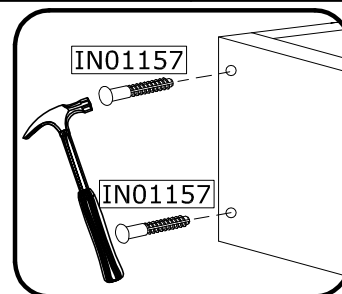
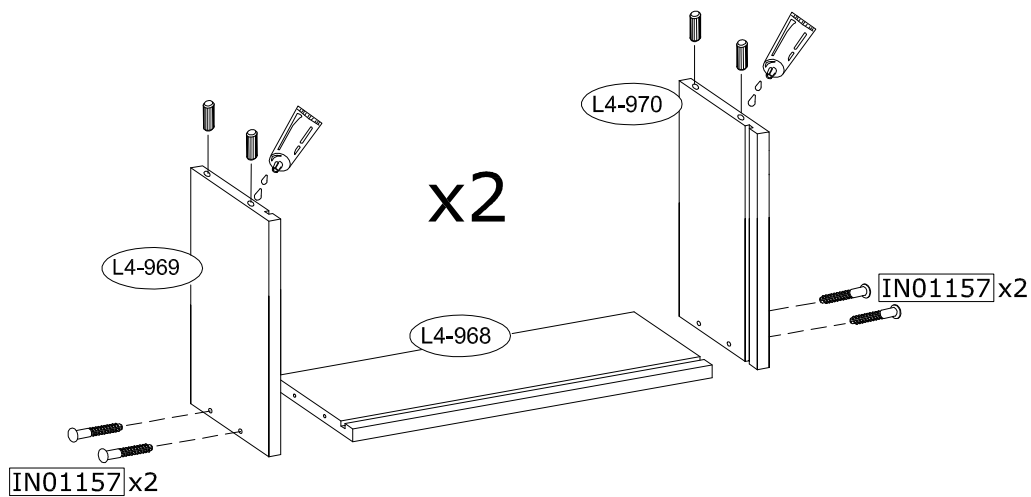
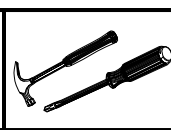
# 7.

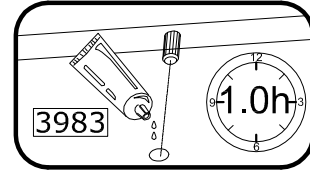
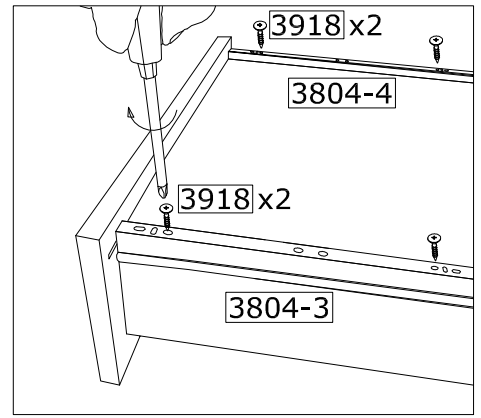
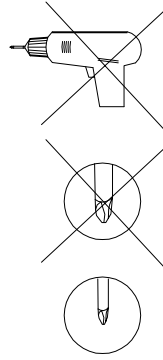
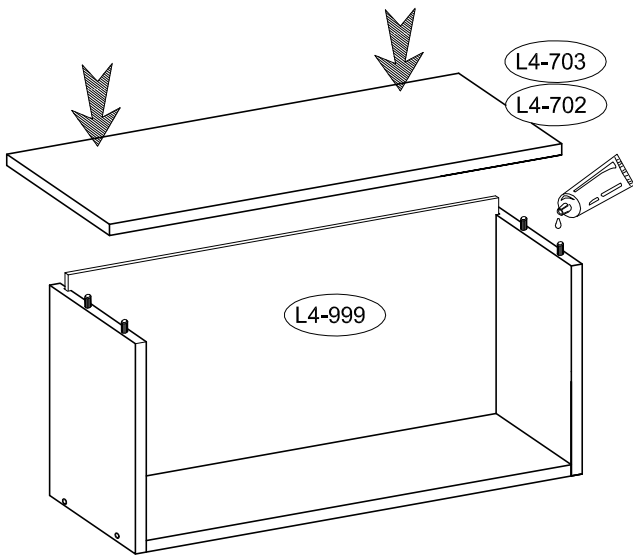
3989  x4	3996  x4
---	---



# 8.

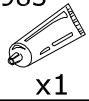
IN01157  x8	3989  x8	3983  x1	3804-3  x1	3804-4  x1	3919  x4
--	---	---	---	---	---



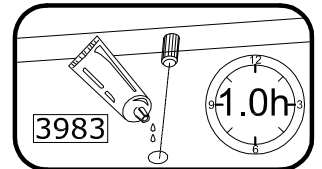
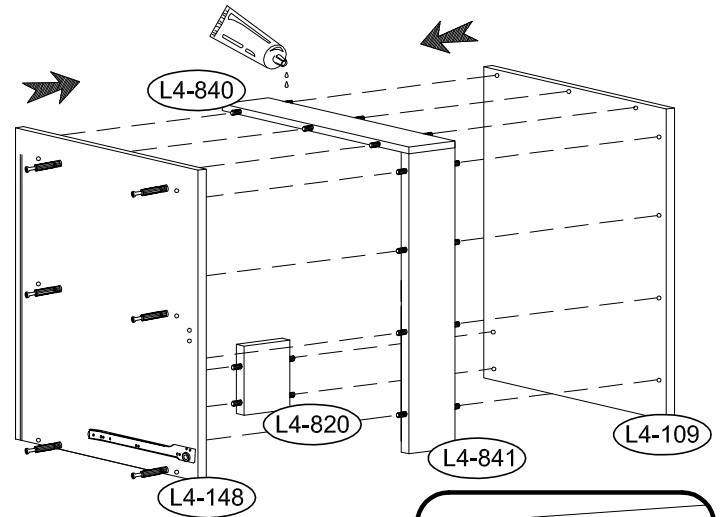
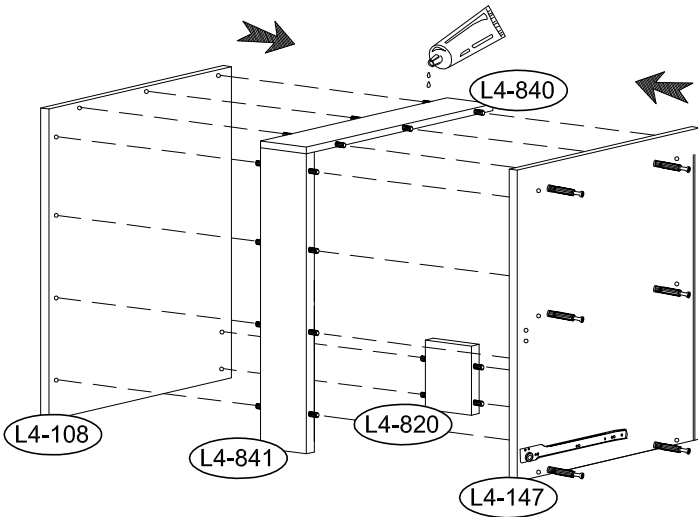


9.

3983



x1

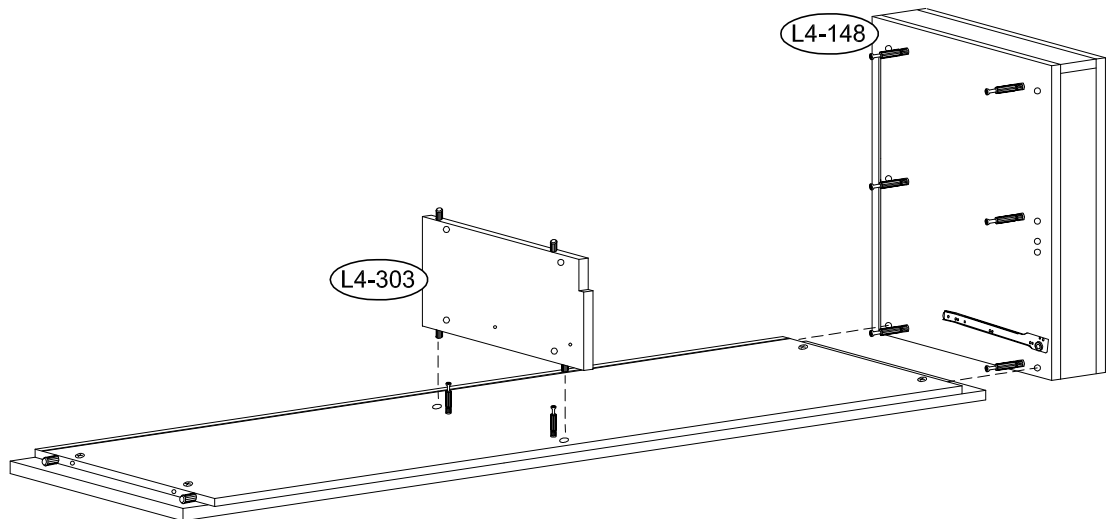
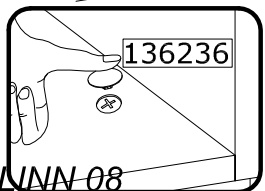
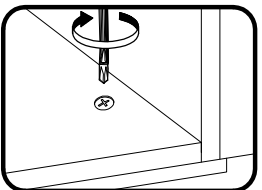
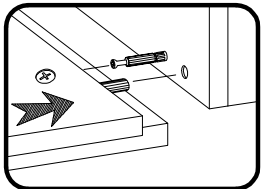


10.

136236

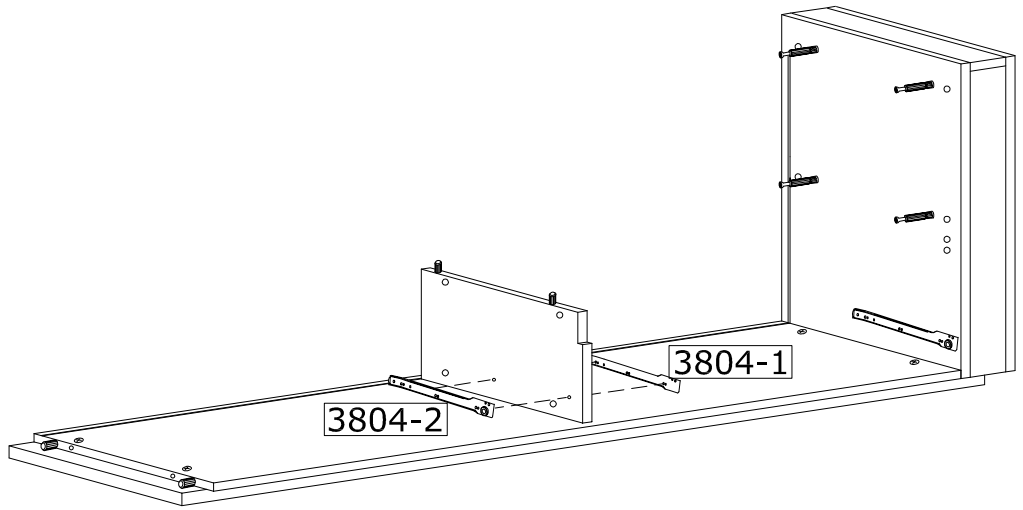
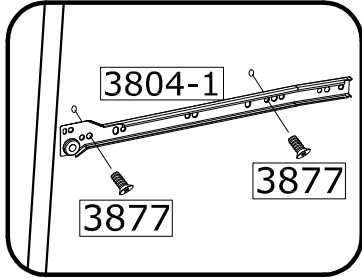
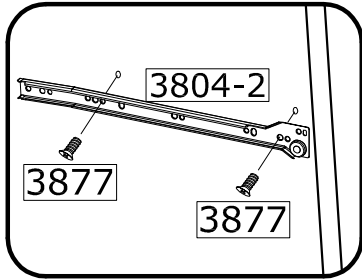


x4



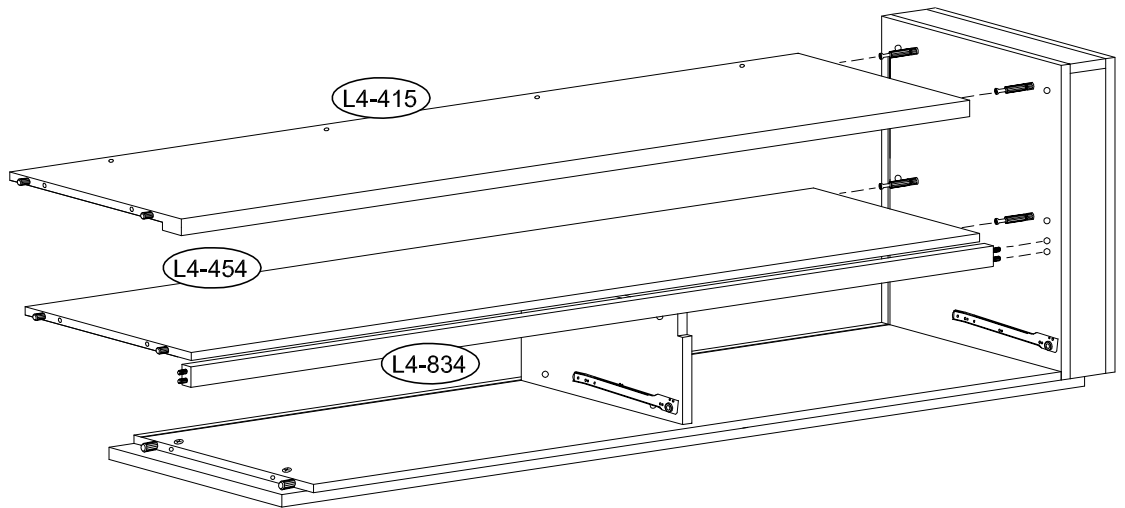
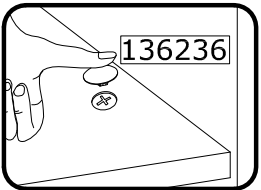
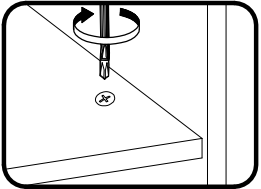
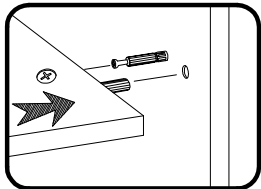
# 11.

3877  x4	3804-1  x1	3804-2  x1		
--	--	--	--	--



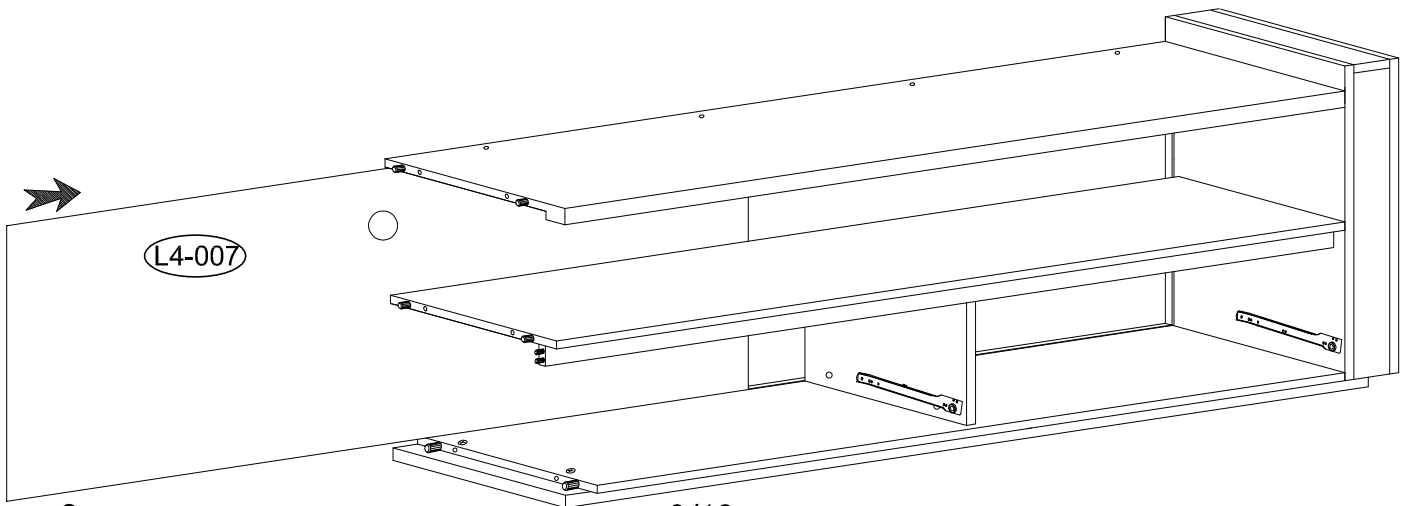
# 12.

136236  x6				
---	--	--	--	---



# 13.

--	--	--	--	--

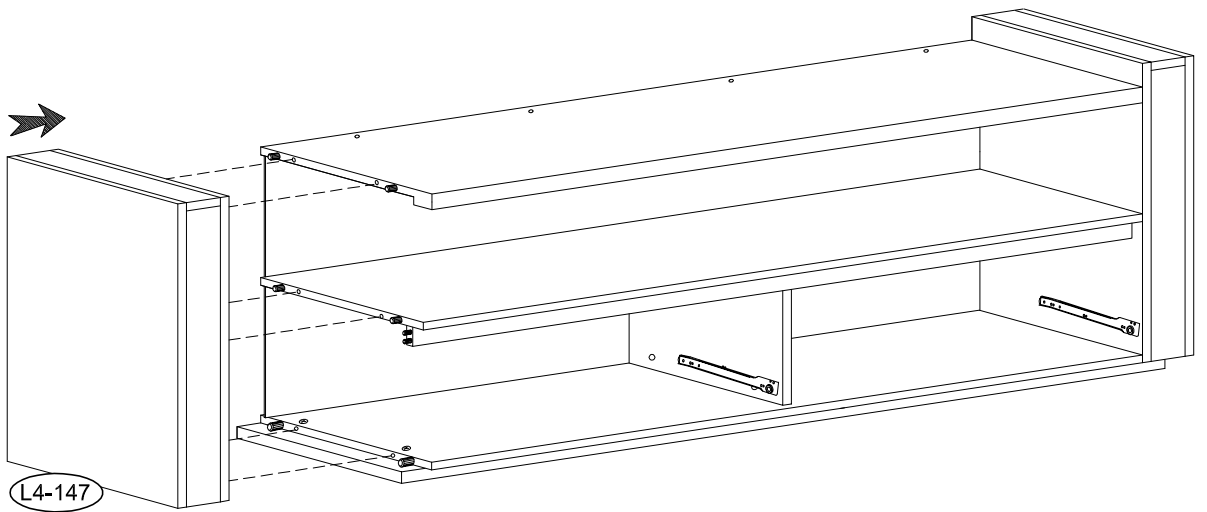
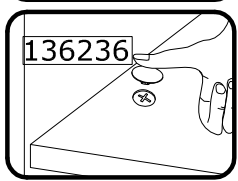
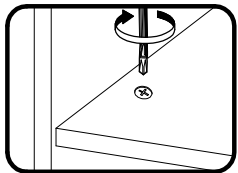
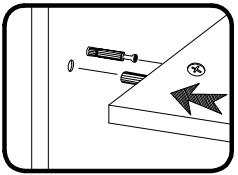


# 14.

136236



x6



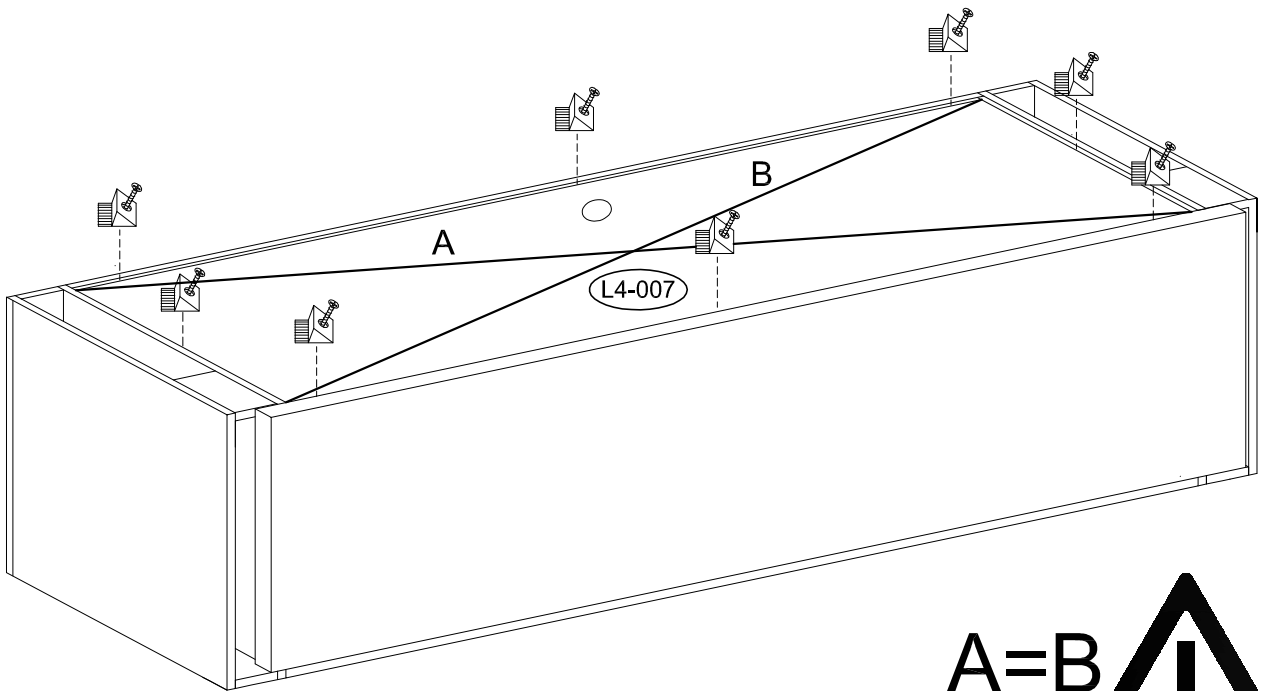
L4-147

# 15.

4044

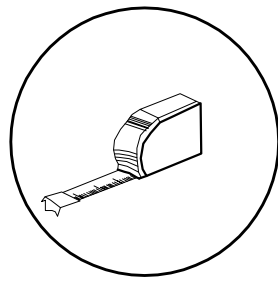
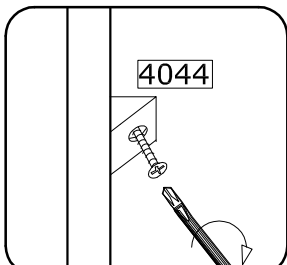
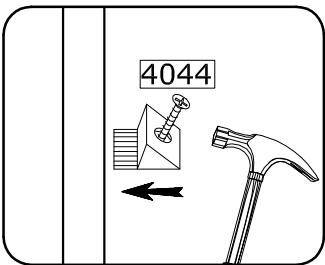


x8



L4-007

A=B



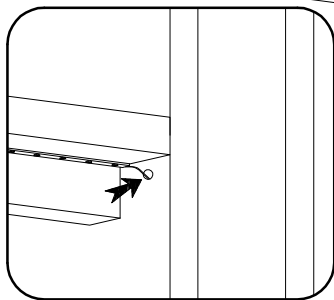
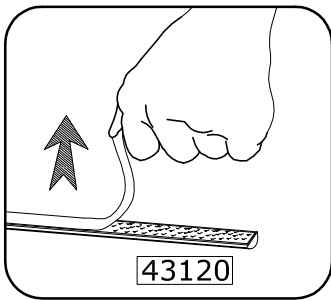
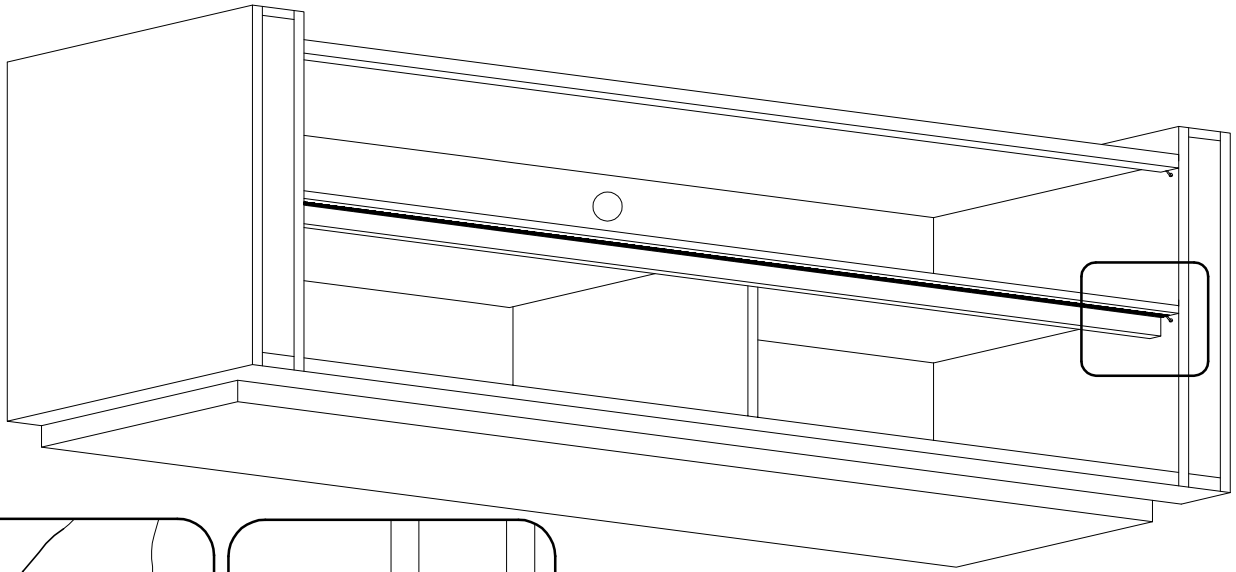


16.

43120



x1

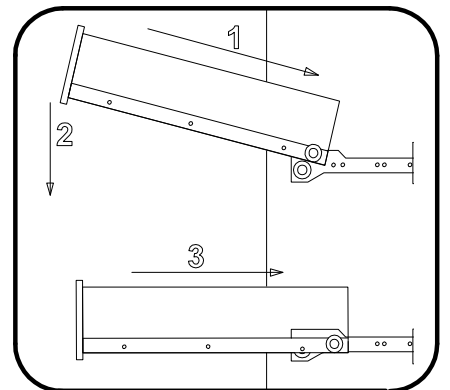
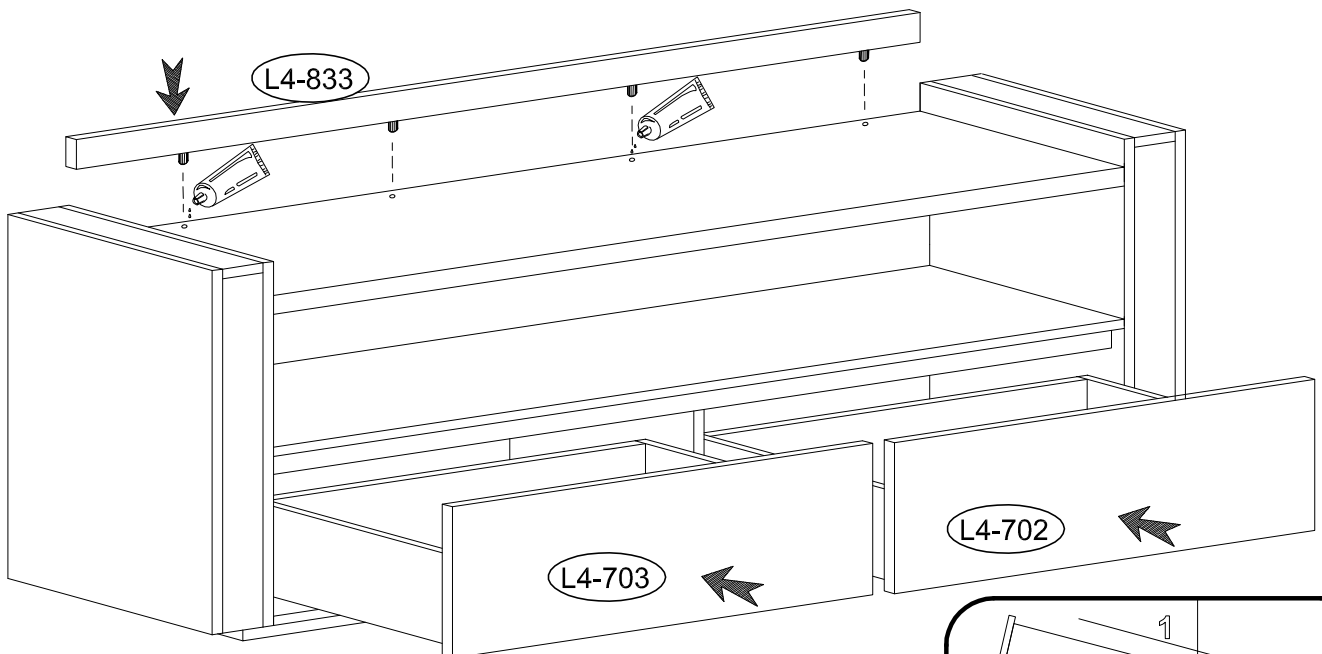


17.

3983



x1



18.

43120  
x1

